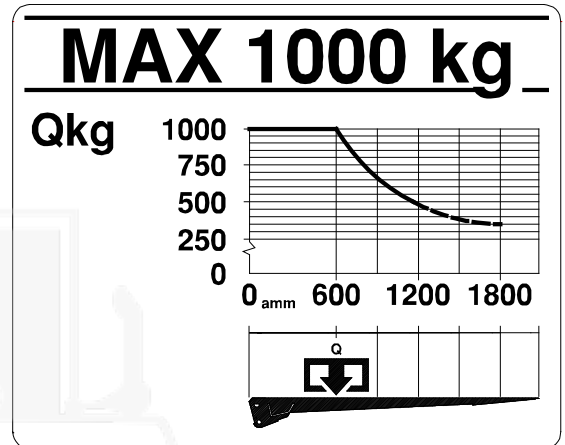
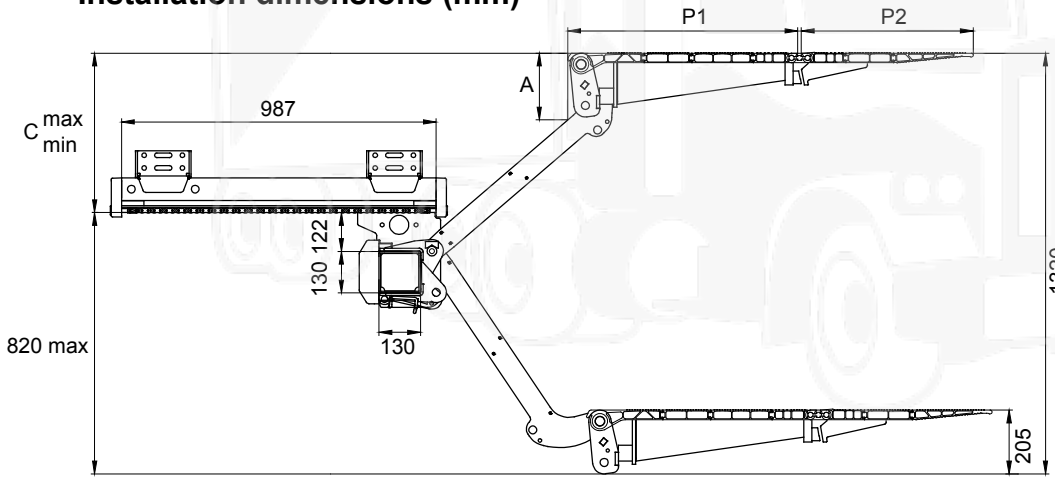


Loading diagram

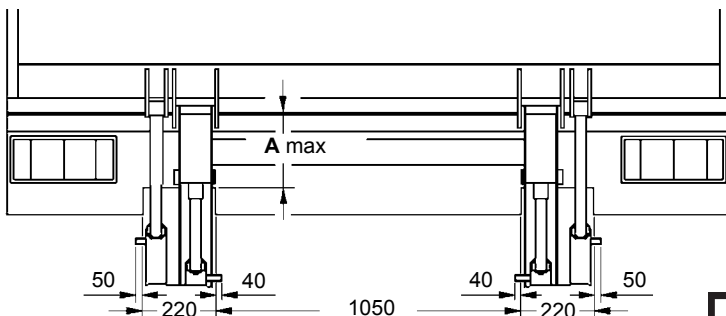
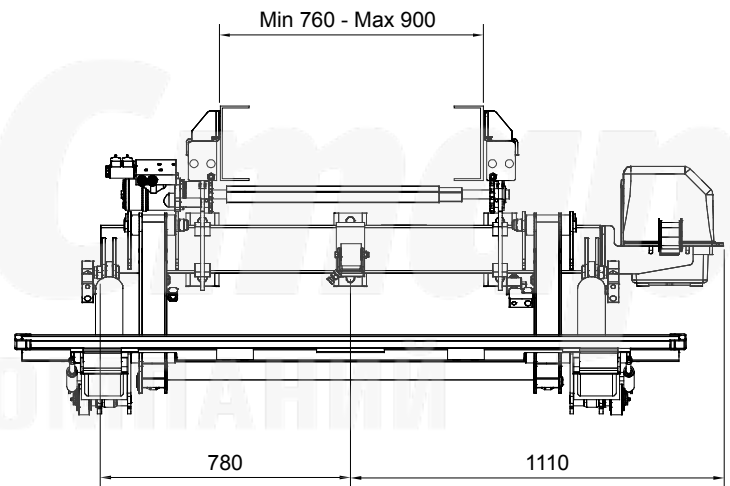
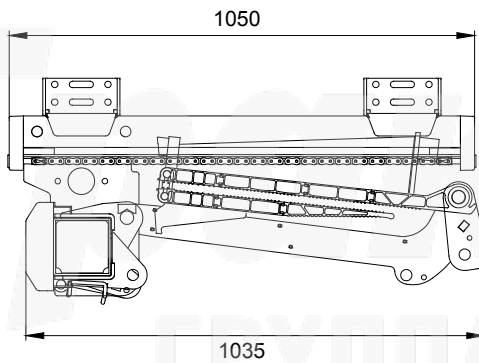
(150 bar)	12 volt	24 volt
Pump - Motor Unit	140A	75A
Magnet (hydraulic unit)	4,2A	2,1A
Magnet (electric safety valve)	1,5A	0,75A
Solenoid	1,5A	0,85A
Cable area:		
Control cable	1,5mm <sup>2</sup>	1,5mm <sup>2</sup>
Main cable 0-8m	35mm <sup>2</sup>	35mm <sup>2</sup>
Main cable 8-15m	50mm <sup>2</sup>	35mm <sup>2</sup>
Main cable <15m	-	50mm <sup>2</sup>
Power source:		
Min. capacity	180Ah	170Ah
Min. voltage	9 Volt	18 Volt



Installation dimensions (mm)



A	C
165	500
151	450
140	400
132	350
124	300
114	250



Double folding platform

Platform Length	P1	P2	Total Overhang
1272	722	540	1035



**ZEPRO**



**Трак Стар**  
ГРУППА КОМПАНИЙ