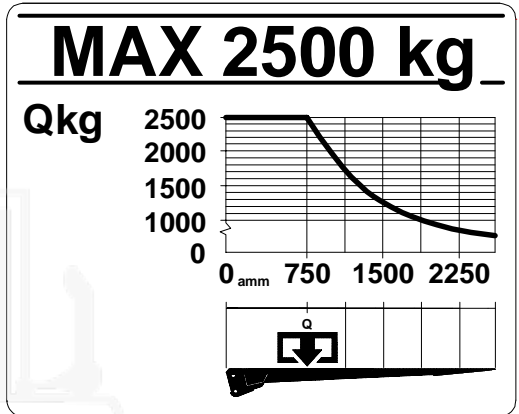
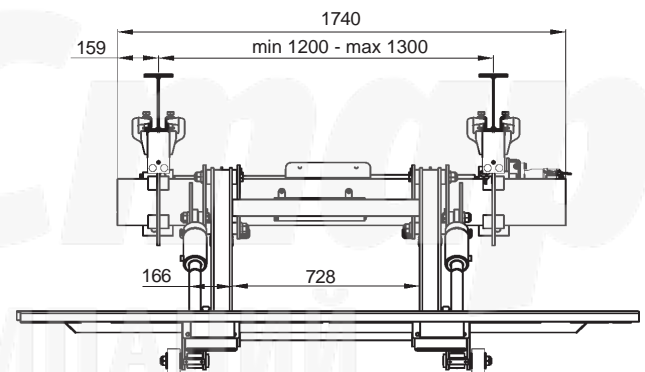
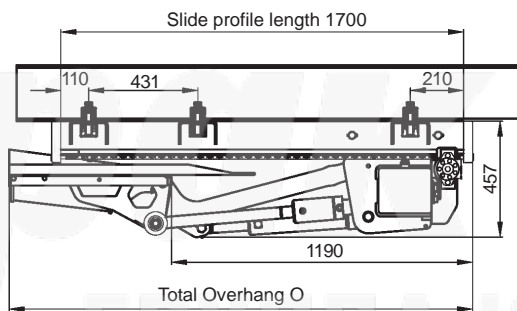
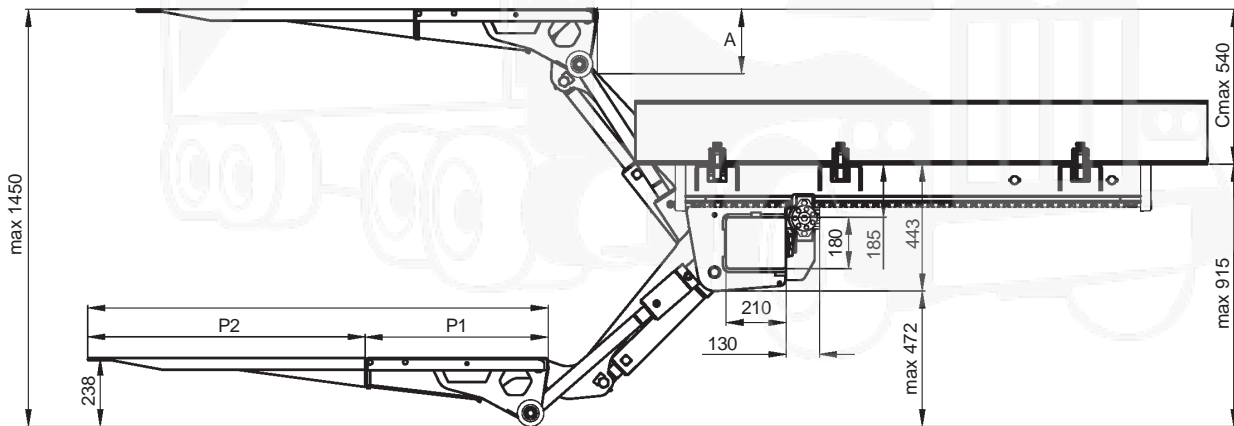


(200 bar)	12 volt	24 volt
Pump - Motor Unit	250A	150A
Magnet (hydraulic unit)	4,2A	2,1A
Magnet (electric safety valve)	1,5A	0,75A
Solenoid	1,5A	0,85A
Cable area:		
Control cable	1,5mm <sup>2</sup>	1,5mm <sup>2</sup>
Main cable 0-8m	35mm <sup>2</sup>	35mm <sup>2</sup>
Main cable 8-15m	50mm <sup>2</sup>	35mm <sup>2</sup>
Main cable <15m	-	50mm <sup>2</sup>
Power source:		
Min. capacity	170Ah	180Ah
Min. voltage	9 Volt	18 Volt

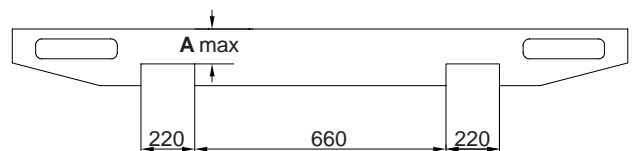
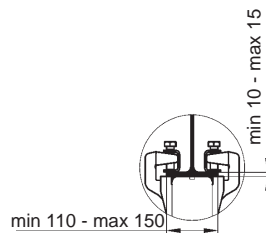
Loading diagram



Installation dimensions (mm)



C	A
540	225
500	207
450	191
400	179
350	170
300	163
270	159



PML

P1	P2	O
749	889	1936
824	889	2011

P1 in steel

