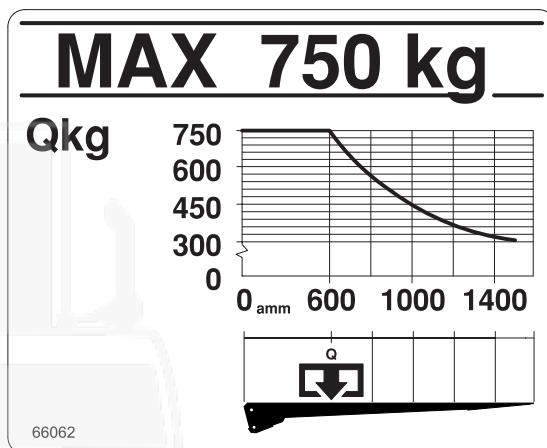
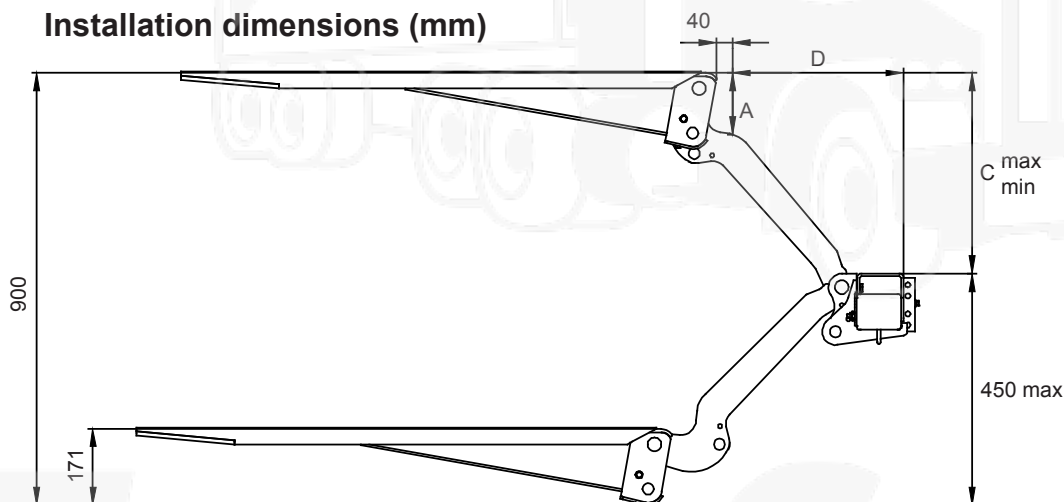


Loading diagram

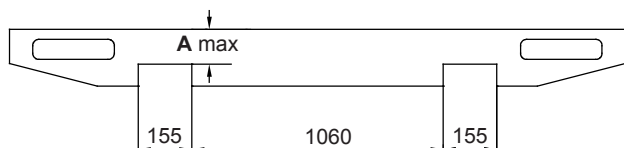
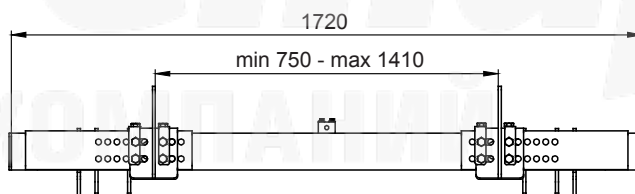
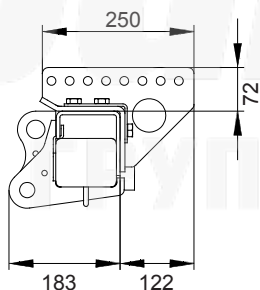
| (150 bar) | 12 volt | 24 volt |
|--------------------------------|---------------------|---------------------|
| Pump - Motor Unit | 115 A | 75 A |
| Magnet (hydraulic unit) | 1,4 A | 0,7 A |
| Magnet (electric safety valve) | 1,5 A | 0,75 A |
| Solenoid | 1,8 A | 0,9 A |
| Cable area: | | |
| Control cable | 1,5 mm ² | 1,5 mm ² |
| Main cable 0-8m | 35 mm ² | 35 mm ² |
| Main cable 8-15m | 35 mm ² | 35 mm ² |
| Main cable <15m | - | 35 mm ² |
| Power source: | | |
| Min. capacity | 140 Ah | 110 Ah |
| Min. voltage | 9 Volt | 18 Volt |



Installation dimensions (mm)



| C | A | D |
|-----|-----|-----|
| 450 | 136 | 384 |
| 400 | 126 | 444 |
| 350 | 115 | 490 |
| 300 | 104 | 526 |
| 250 | 96 | 554 |



ZEPRO



Трак Стар
ГРУППА КОМПАНИЙ

Телефон: +7 927 503 2024

E-mail: ek225@truck-star.ru

Сайт: www.truck-star.ru